

# TEAC

## SERVICE MANUAL

# SR-L230i



### NOTES

- PC board shown are viewed from parts side.
- The parts with no reference number or no parts number in the exploded views are not supplied.
- As regards the resistors and capacitors, refer to the circuit diagrams contained in this manual.
- ⚠ Parts marked with this sign are safety critical components. they must be replaced with identical components - refer to the appropriate parts list and ensure exact replacement.
- Parts of [ ] mark can be used only with the version designated.  
[T/C]-USA

### CONTENTS

<b>1 SAFETY INFORMATION</b> .....	2
<b>2 SPECIFICATIONS</b> .....	3
<b>3 ADJUSTMENT AND CHECK</b> .....	4
<b>4 EXPLODED VIEW AND PARTS LIST</b> .....	8
<b>5 PC BOARDS AND PARTS LIST</b> .....	20
<b>6 WIRING DIAGRAM</b> .....	30
<b>7 INCLUDED ACCESSORIES</b> .....	31

# SR-L230i

## 1 SAFETY INFORMATION

### SAFETY INFORMATION

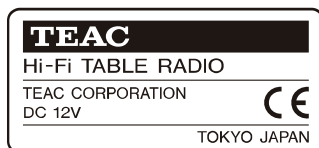
This product has been designed and manufactured according to FDA regulations "title 21, CFR, chapter 1, subchapter J, based on The Radiation Control for Health and Safety Act of 1968" and is classified as class 1 laser product. There is not hazardous invisible laser radiation during operation because invisible laser radiation emitted inside of this product is completely confined in the protective housings. The label required in this regulation is shown ①.

#### • CAUTION

USE OF CONTROLS OR ADJUSTMENT OR PERFORMANCE OF PROCEDURES OTHER THAN THOSE SPECIFIED HEREIN MAY RESULT IN HAZARDOUS RADIATION EXPOSURE.

DO NOT REMOVE THE PROTECTIVE HOUSING USING SCREWDRIVER.

IF THIS PRODUCT DEVELOPS TROUBLE, MAKE A CONTACT WITH OUR SERVICEMAN, AND DO NOT USE THE PRODUCT A TROUBLED STATE.



SERIAL  
NO.

MADE IN CHINA

THIS DEVICE COMPLIES WITH PART 15 OF THE FCC RULES. OPERATION IS SUBJECT TO THE FOLLOWING TWO CONDITIONS: (1) THIS DEVICE MAY NOT CAUSE HARMFUL INTERFERENCE, AND (2) THIS DEVICE MUST ACCEPT ANY INTERFERENCE RECEIVED, INCLUDING INTERFERENCE THAT MAY CAUSE UNDESIRABLE OPERATION.

THIS CLASS B DIGITAL APPARATUS COMPLIES WITH CANADIAN ICES-003.  
CET APPAREIL NUMÉRIQUE DE LA CLASSE B EST CONFORME À LA NORME NMB-003 DU CANADA.

## 2 SPECIFICATIONS

### TUNER SECTION

Frequency Range: FM: 87.50 MHz to 108.0 MHz  
AM: 530 kHz to 1,710 kHz

### SPEAKER SYSTEM Section

Type: 60 mm x 2  
Impedance: 4 ohms

### GENERAL

Total Output Power 3 W + 3 W  
Power Requirement AC 120V, 60 Hz  
Power Consumption 23 W  
Dimension (W x H x D ) 12 3/16" x 7 11/16" x 4"(310 x 196 x 101 mm)  
Weight (net) 4 3/16 lb (1.9 kg)

### Standard Accessories

Remote Control Unit (RC-1151W or RC-1151B) x1  
Battery for Remote Control Unit (AAA) x 2  
Battery for Memory Backup (CR2032) x1  
AM loop antenna x 1  
Dock adapter x 6 (adapter "60GB(color) + photo 40/60GB" premounted)  
Stereo mini plug cable x 1  
AC Adapter x 1  
Owner's Manual x 1  
Warranty Card x 1

- Design and specifications are subject to change without notice.
- Weight and dimensions are approximate.
- Illustrations may differ slightly from production models.

# SR-L230i

## 3 ADJUSTMENTS AND CHECKS

### 3-1 TUNER SECTION

- Use a screwdriver with a plastic or ceramic grip for all adjustment.

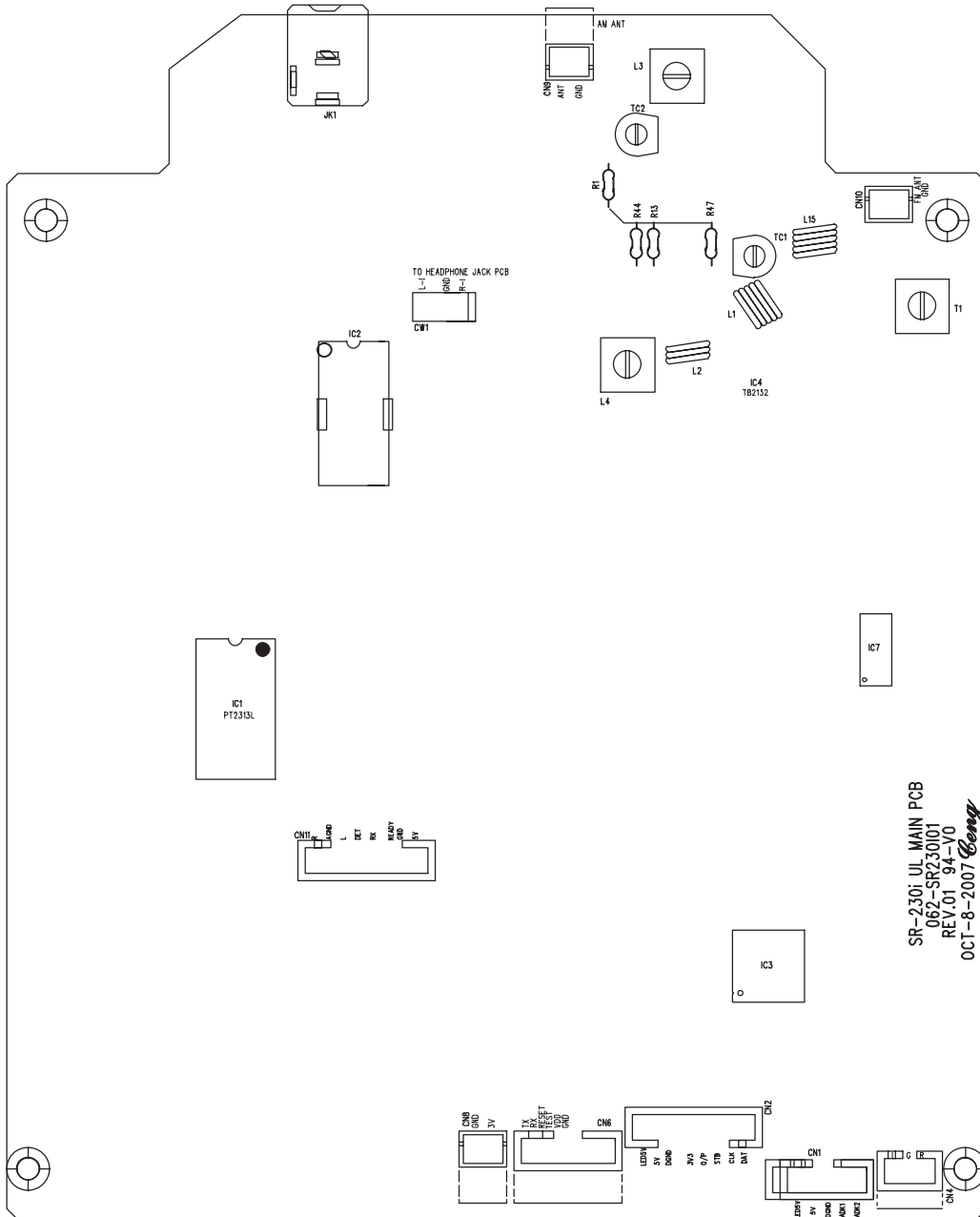
#### 3-1-1 AM adjustment

1. Set the function switch to the TUNER position.
2. Set the BAND switch to the AM position.
3. Connect the test loop antenna across the output of the signal generator.
4. Connect the oscilloscope to the PHONES JACK terminal.
5. Connect the digital multimeter to R1/R13/R44/R47 on MAIN PCB.
6. Set the signal generator as listed in the alignment chart.

#### 3-1-2 FM adjustment

1. Set the function switch to the TUNER position.
2. Set the BAND switch to the FM position.
3. Connect the signal generator output through a 75 ohm dummy antenna to "ANT" on MAIN PCB.
4. Connect the oscilloscope to the PHONES JACK terminal.
5. Connect the digital multimeter to R1/R13/R44/R47 on MAIN PCB.
6. Set the signal generator as listed in the alignment chart.

## 3-2 ADJUSTMENT and TEST POINTS

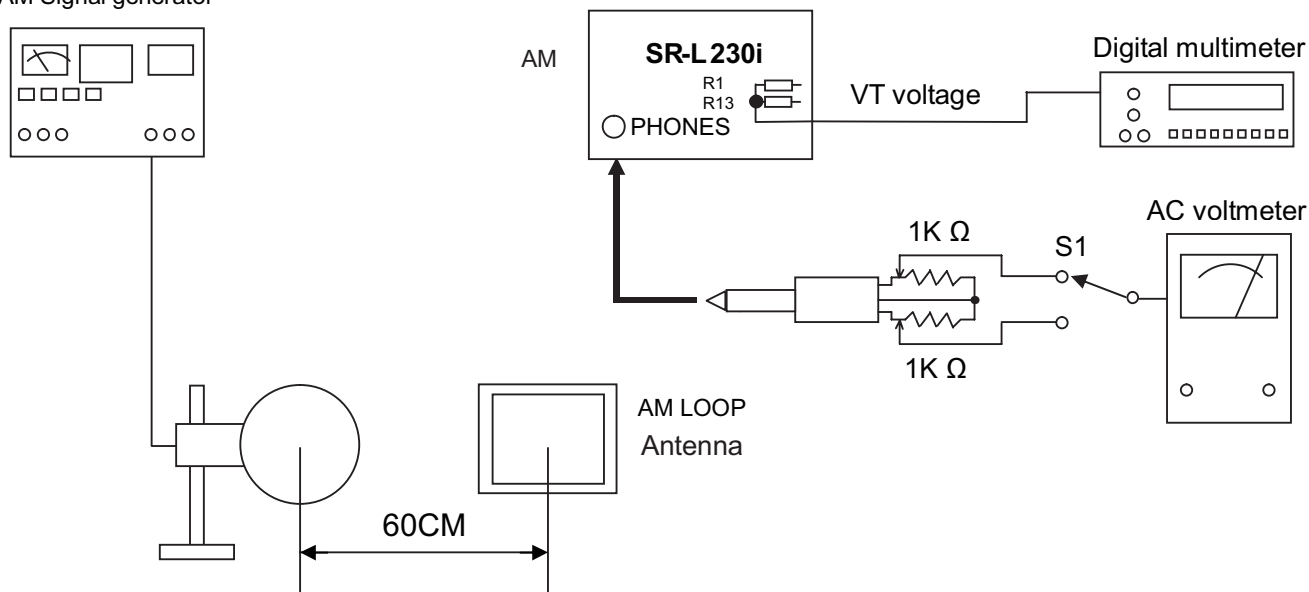


# SR-L230i

## 3-2-1 AM TUNER

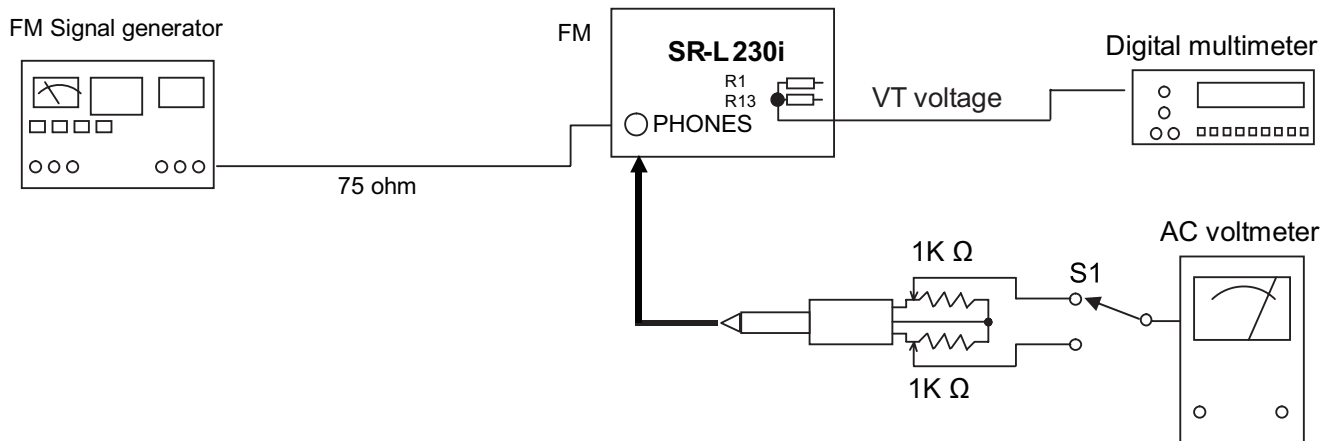
ITEM	SG SETTING				TUNER SETTING	ADJUSTMENTS	MEASURING POINTS. RESULT
	Audio	Modulation	Frequency	Output			
1.VOLTAGE adjustment					1720KHz	L4 AM OSC coil	VT 8.8-9.2V
					530KHz	Check	
2.IFT adjustment	1KHz	30%	450KHz	76dBuV	610KHz	T1 AM IFT coil	Maximun output level
3.ANT Coil adjustment	1KHz	30%	610KHz	76dBuV	610KHz	L3 AM ANT coil	Maximun output level
4.Adjustment	1KHz	30%	1400KHz	76dBuV	1400KHz	Check	Maximun output level

AM Signal generator



## 3-2-2 FM TUNER

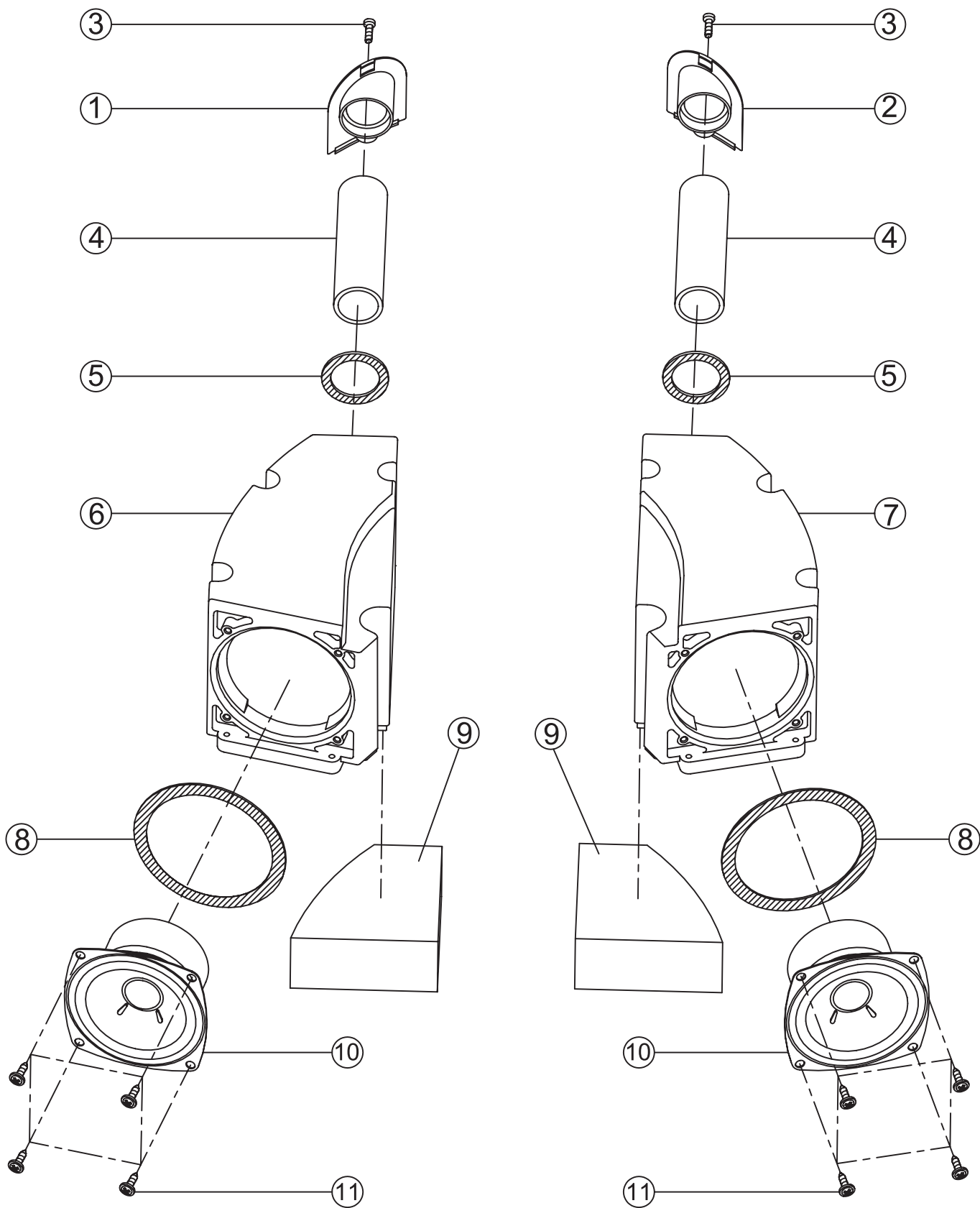
ITEM	SG SETTING				TUNER SETTING	ADJUSTMENTS	MEASURING POINTS. RESULT
	Audio	Modulation	Frequency	Output			
1.VOLTAGE adjustmen					108MHz	L2 FM OSC coil	VT 7.8-8.2V
					87.5MHz	Check	
2.ANT Coil adjustment	1KHz	22.5kHz	90.1MHz	76dBuV	90.1MHz	L1 FM RF coil	Maximun output level
3.TC1 adjustment	1KHz	22.5kHz	106.1MHz	76dBuV	106.1MHz	TC1 Repeat step 2 and 3	Maximun output level



# SR-L230i

## 4 EXPLODED VIEWS AND PARTS LIST

### EXPLODE VIEW-1



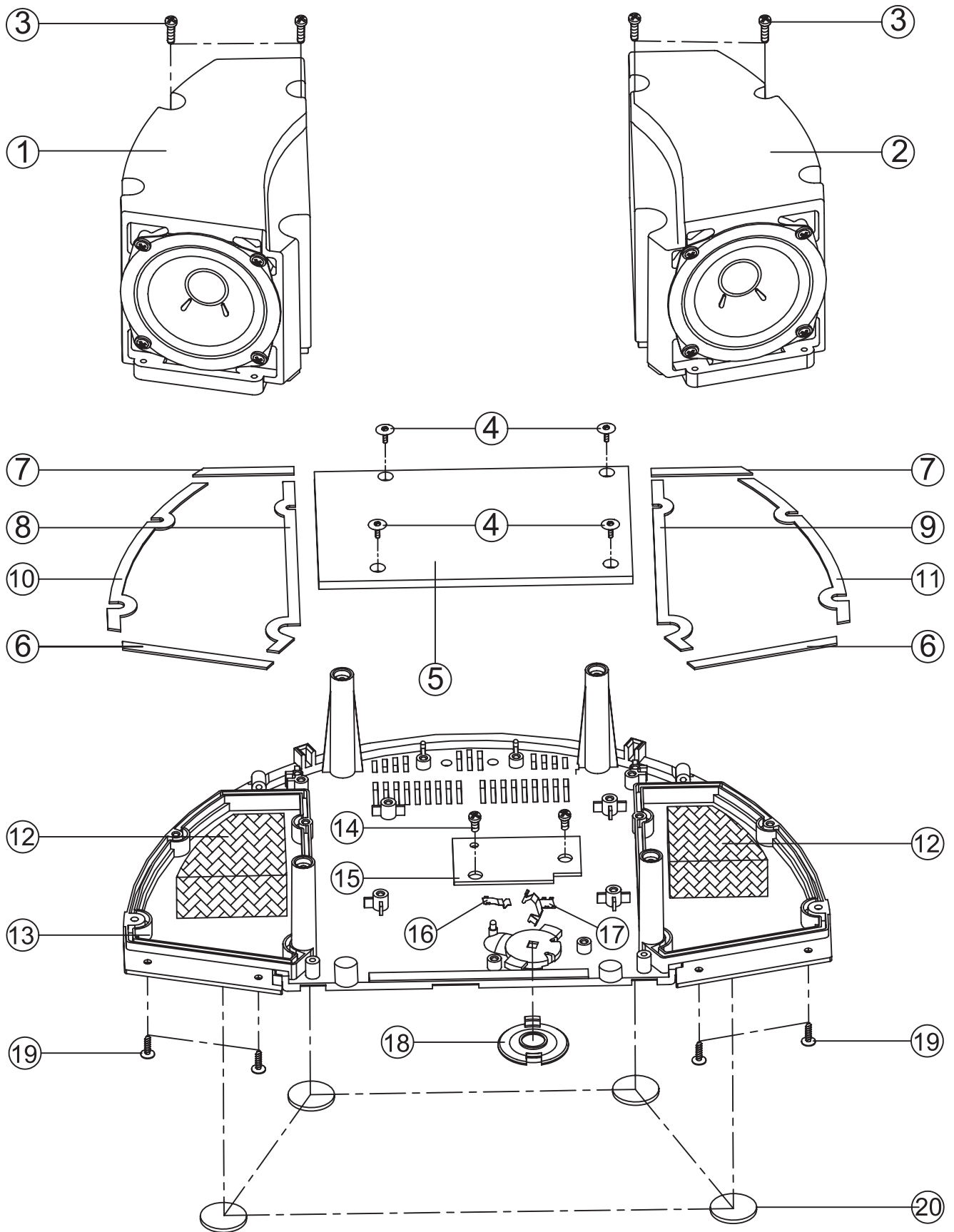


## EXPLODED VIEW-1 PARTS LIST

REF.NO	TEAC PARTS NO.	PARTS NO.	DESCRIPTION	REMARK
1-1		010-230B0300-R	DUCT COVER <L> (COLOR:BLACK)	
		010-230W0300-R	DUCT COVER <L> (COLOR:WHITE)	
1-2		010-230B0400-R	DUCT COVER <R> (COLOR:BLACK)	
		010-230W0400-R	DUCT COVER <R> (COLOR:WHITE)	
1-3		023-23010033-R	SCREW $\phi$ 3X10MM BB BLACK HD	
		023-23010031-R	SCREW $\phi$ 3X10MM BB NI HD	
1-4		044-R230i051-R	SPEAKER PAPER TUBE $\phi$ 18X $\phi$ 22X80MM	
1-5		035-R230i102-R	DUCT COVER L/R EVA SHEET	
1-6		010-230i0100-R	SPEAKER BOX L	
1-7		010-230i0200-R	SPEAKER BOX R	
1-8		035-R230i012-R	R/L SPEAKER EVA WASHER	
1-9		099-39R230i1-R	ABSORB COTTON A	
1-10		061-230i0400-R	SPEAKER 2.5" 4 OHM 5-8W	
1-11		024-43008033-R	SCREW $\phi$ 3X8MM PWA BLACK HD	

# SR-L230i

## EXPLODE VIEW-2

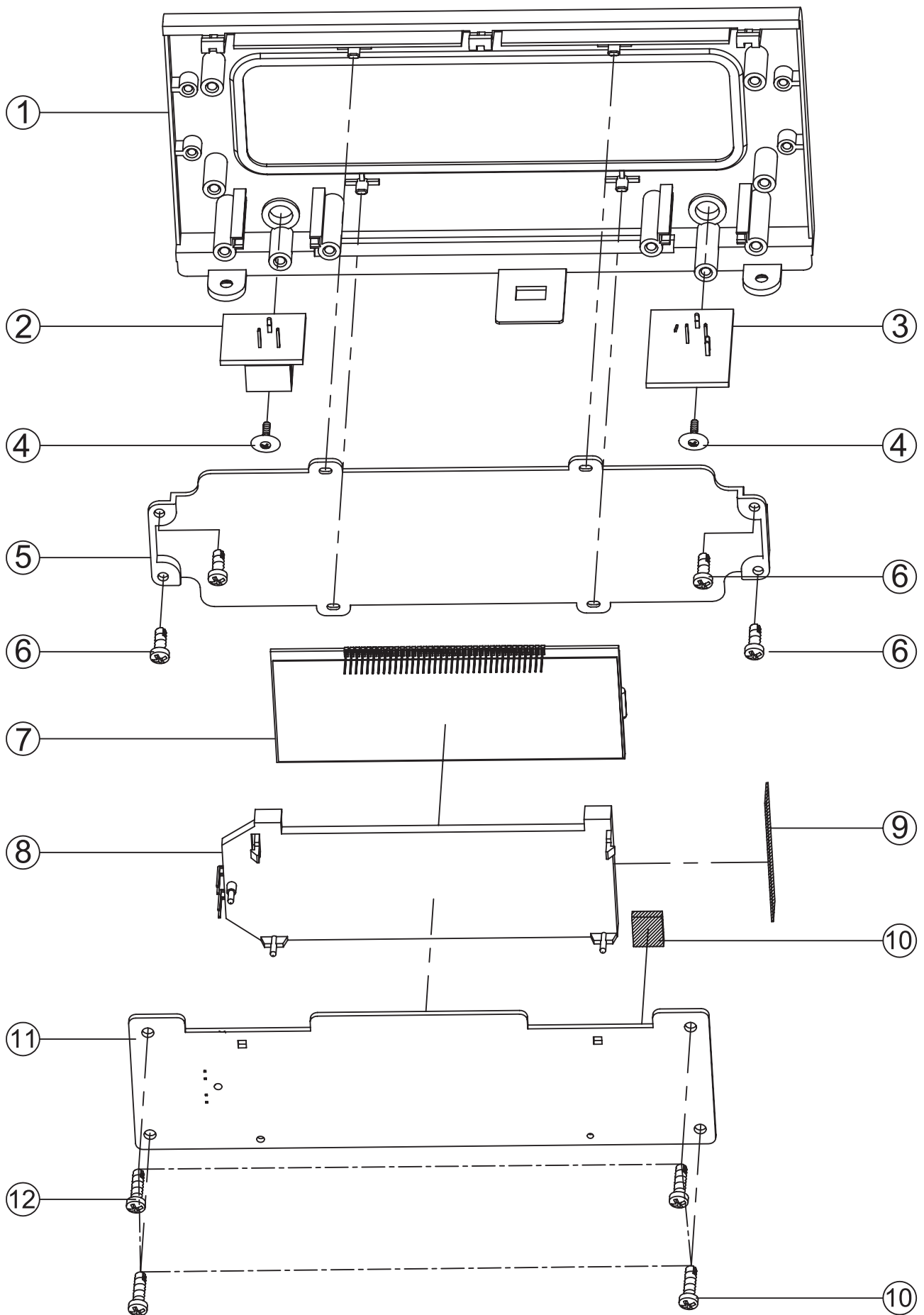


## EXPLODED VIEW-2 PARTS LIST

REF.NO	TEAC PARTS NO.	PARTS NO.	DESCRIPTION	REMARKS
2-1			SPEAKER BOX L ASSY	
2-2			SPEAKER BOX R ASSY	
2-3		023-23010033-R	SCREW $\phi$ 3X10MM BB BLACK HD	
2-4		021-43008032-R	SCREW $\phi$ 3X8MM PWT ZMC HD (PW $\phi$ = 11.5MM)	
2-5		020-230i0200-R	PIG IRON BLOCK (200g)	
2-6		035-R230i022-R	SPEAKER BOX EVA SHEET <A>	
2-7		035-R230i032-R	SPEAKER BOX EVA SHEET <B>	
2-8		035-R230i042-R	SPEAKER BOX EVA SHEET <C>	
2-9		035-R230i052-R	SPEAKER BOX EVA SHEET <D>	
2-10		035-R230i062-R	SPEAKER BOX EVA SHEET <E>	
2-11		035-R230i072-R	SPEAKER BOX EVA SHEET <F>	
2-12		099-39R230i1-R	ABSORB COTTON A	
2-13		002-230B0100-R	BOTTOM CASE PANEL (COLOR:BLACK)	
		002-230W0100-R	BOTTOM CASE PANEL (COLOR:WHITE)	
2-14		023-23006032-R	SCREW $\phi$ 3X6MM BB ZMC HD	
2-15		100-230i2060-R	MEMORY BATTERY PCB ASSY	
2-16		020-300i0100-R	MEMORY BATTERY SPRING (-VE)	
2-17		020-300i0000-R	MEMORY BATTERY SPRING (+VE)	
2-18		010-230B0600-R	MEMORY BATTERY COVER (COLOR:BLACK)	
		010-230W0600-R	MEMORY BATTERY COVER (COLOR:WHITE)	
2-19		023-33010033-R	SCREW $\phi$ 3X10MM KB BLACK HD	
		023-33010031-R	SCREW $\phi$ 3X10MM KB NI HD	
2-20		037-230i0100-R	RUBBER FOOT	

# SR-L230i

## EXPLODE VIEW-3

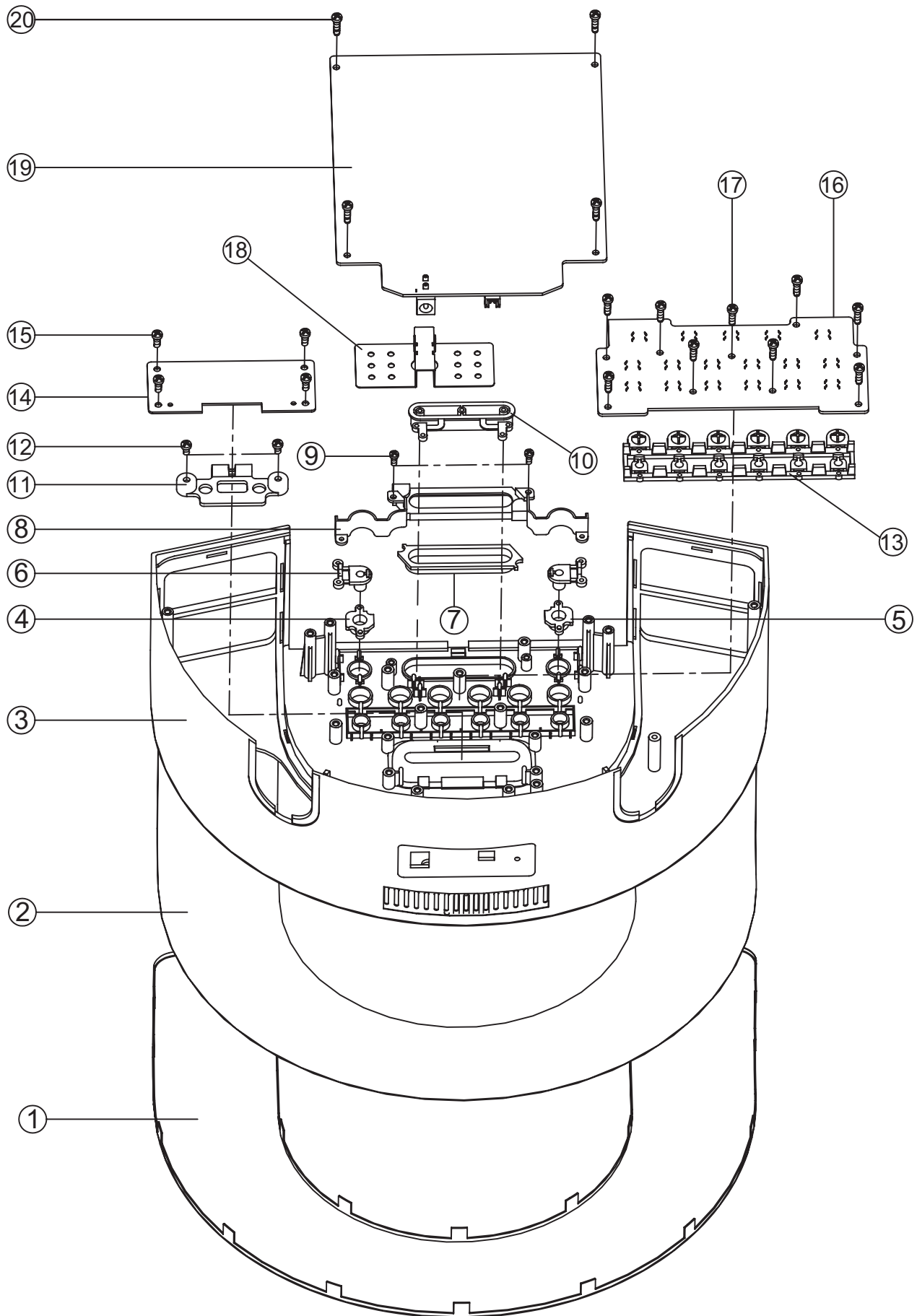


## EXPLODED VIEW-3 PARTS LIST

REF.NO	TEAC PARTS NO.	PARTS NO.	DESCRIPTION	REMARKS
3-1		001-230B0100-R	FRONT PANEL (COLOR:BLACK)	
		001-230W0100-R	FRONT PANEL (COLOR:WHITE)	
3-2		100-230i2050-R	AUX JACK PCB ASSY	
3-3		100-230i2040-R	PHONE JACK PCB ASSY	
3-4		021-43010032-R	SCREW $\phi$ 3X 10MM PWT ZMC HD(PW $\phi$ =11.5MM)	
3-5		007-230i0100-R	LCD DISPLAY WINDOW	
3-6		023-42606032-R	SCREW $\phi$ 2.6X6MM BB ZMC HD	
3-7		080-R230i001-R	LCD DISPLAY SIZE:93X37.5MM	
3-8		009-230i0100-R	LCD BACK LIGHT HOLDER	
3-9		035-R250i082-R	LCD DISPLAY WINDOW EVA SHEET	
3-10		035-R230i112-R	SENSOR EVA CUSHION	
3-11		100-230i2030-R	LCD DISPLAYER PCB ASSY	
3-12		023-23010032-R	SCREW $\phi$ 3X10MM BB ZMC HD	

# SR-L230i

## EXPLODE VIEW-4

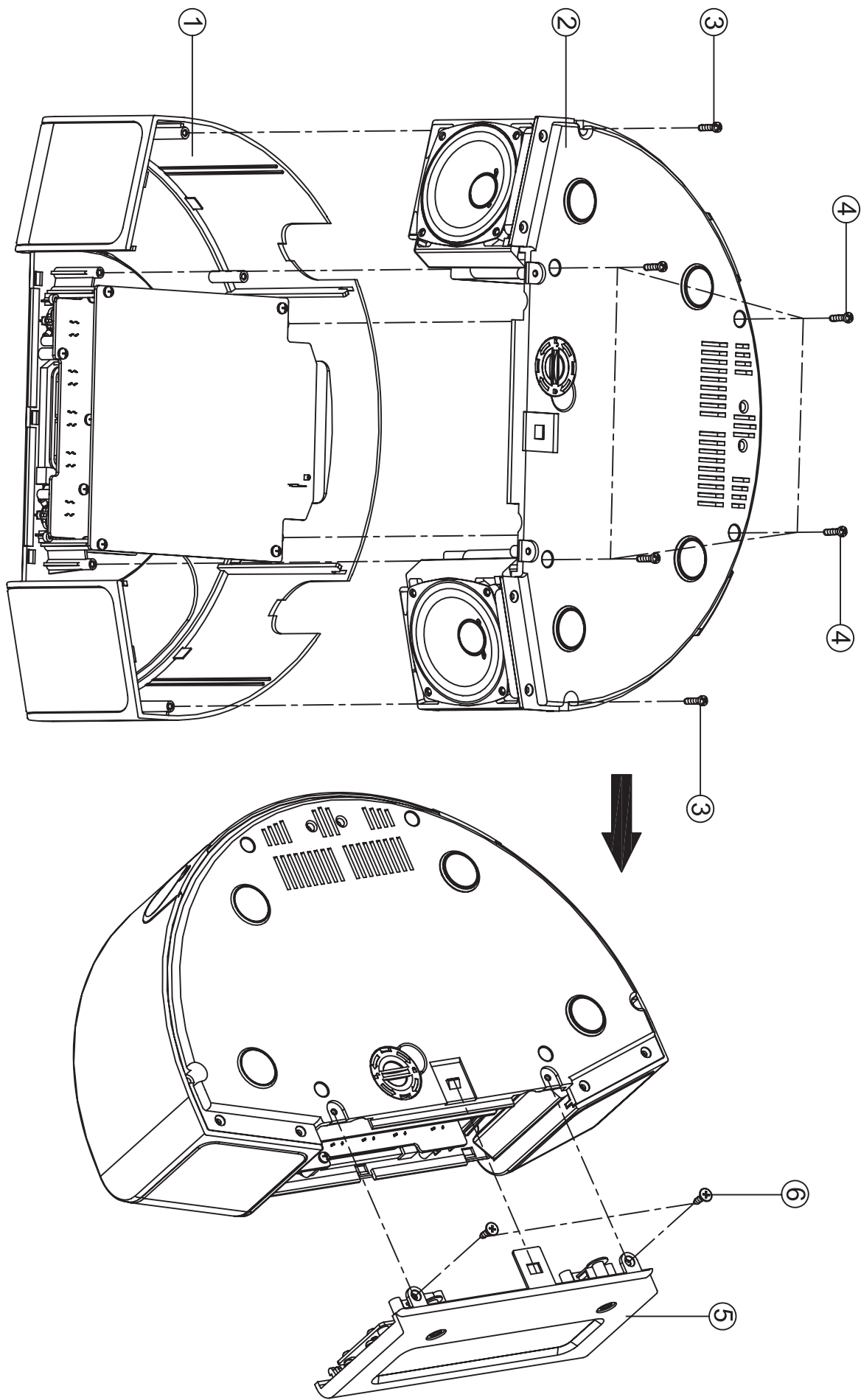


## EXPLODED VIEW-4 PARTS LIST

REF.NO	TEAC PARTS NO.	PARTS NO.	DESCRIPTION	REMARKS
4-1		020-230i0100-R	SPEAKER METAL NET	
4-2		051-R230i001-R	SPEAKER METAL NET HIMERON	
4-3		001-230BU200-R	TOP CASE PANEL (COLOR:BLACK)	
		001-230WU200-R	TOP CASE PANEL (COLOR:WHITE)	
4-4		007-230i0300-R	STANDBY BUTTON RENG LENS	
4-5		007-230i0400-R	DISPLAYER BUTTON RENG LENS	
4-6		004-230B0300-R	STANDBY BUTTON/DISPLAYER BUTTON (COLOR:BLACK)	
		004-230W0300-R	STANDBY BUTTON/DISPLAYER BUTTON (COLOR:WHITE)	
4-7		007-230i0200-R	SNOOZE BUTTON RENG LENS	
4-8		010-230i0500-R	SNOOZE BUTTON LENS COVER	
4-9		023-42606032-R	SCREW $\phi$ 2.6X6MM BB ZMC HD	
4-10		004-230B0200-R	SNOOZE BUTTON (COLOR:BLACK)	
		004-230W0200-R	SNOOZE BUTTON (COLOR:WHITE)	
4-11		010-230B0700-R	iPod DOCK LOCK (COLOR:BLACK)	
		010-230W0700-R	iPod DOCK LOCK (COLOR:WHITE)	
4-12		023-23006032-R	SCREW $\phi$ 3X6MM BB ZMC HD	
4-13		004-230B0100-R	FUNCTION BUTTON (COLOR:BLACK)	
		004-230W0100-R	FUNCTION BUTTON (COLOR:WHITE)	
4-14		100-230i2070-R	iPod JACK PCB ASSY	
4-15		024-23008032-R	SCREW $\phi$ 3X8MM BA ZMC HD	
4-16		100-230i2020-R	KEY FUNCTION PCB ASSY	
4-17		023-23008032-R	SCREW $\phi$ 3X8MM BB ZMC HD	
4-18		011-R230i010-R	POWER IC HEAT SINK	
4-19		100-230i2010-R	MAIN PCB ASSY	
4-20		023-23010032-R	SCREW $\phi$ 3X10MM BB ZMC HD	

# SR-L230i

## EXPLODE VIEW-5



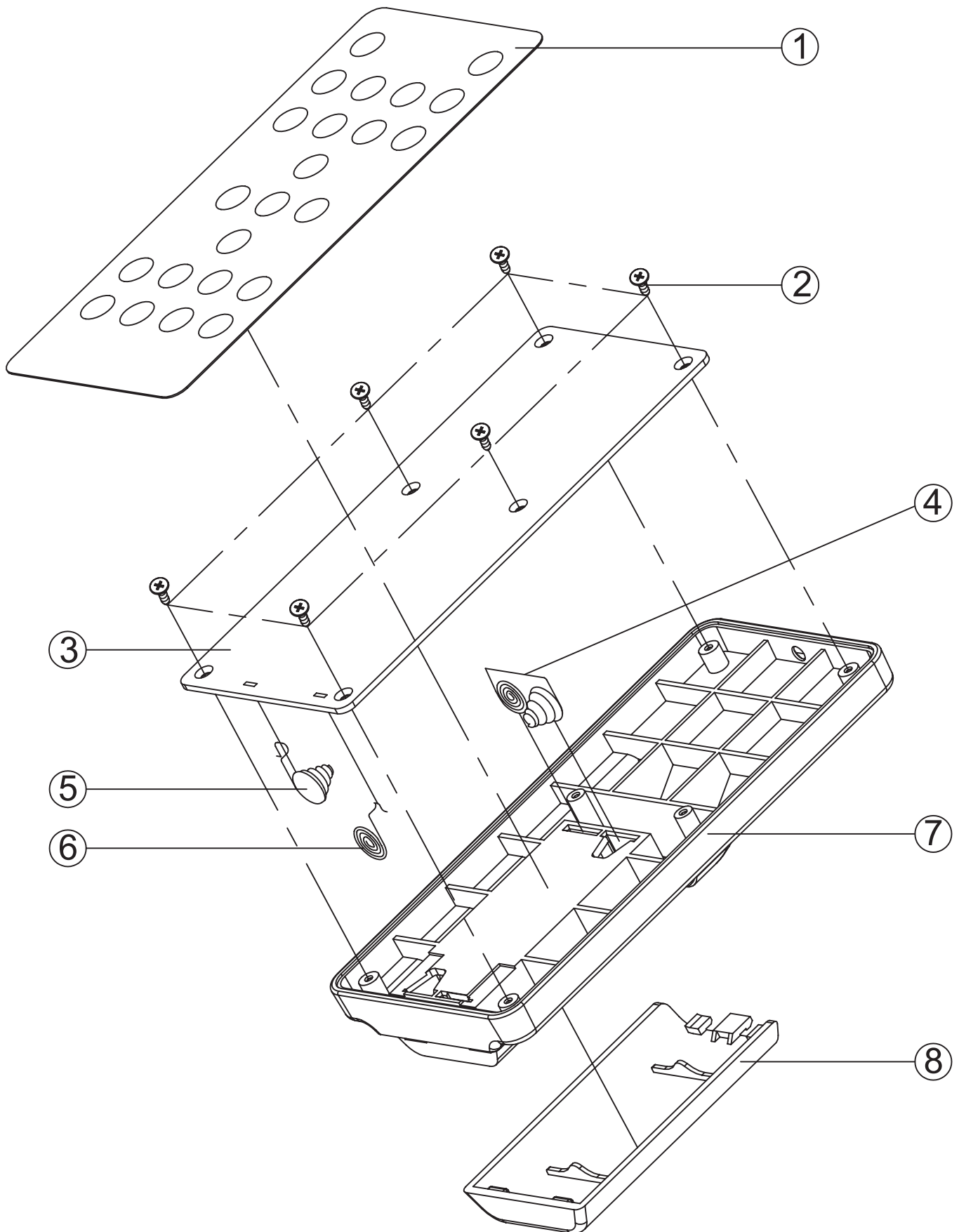


## EXPLODED VIEW-5 PARTS LIST

REF.NO	TEAC PARTS NO.	PARTS NO.	DESCRIPTION	REMARKS
5-1			TOP CASE PANEL ASSY	
5-2			BOTTOM CASE PANEL ASSY	
5-3		023-23012033-R	SCREW $\phi$ 3X12MM BB BLACK HD	
		023-23012031-R	SCREW $\phi$ 3X12MM BB NI HD	
5-4		023-23012033-R	SCREW $\phi$ 3X12MM BB BLACK HD	
5-5			FRONT PANEL ASSY	
5-6		023-33010033-R	SCREW $\phi$ 3X10MM KB BLACK HD	
		023-33010031-R	SCREW $\phi$ 3X10MM KB NI HD	

# SR-L230i

## EXPLODE VIEW-6



## EXPLODED VIEW-6 PARTS LIST

REF.NO	TEAC PARTS NO.	PARTS NO.	DESCRIPTION	REMARKS
6-1		015-230B0100-R	HANDSET PVC SHEET (COLOR:BLACK)	
		015-230W0100-R	HANDSET PVC SHEET (COLOR:WHITE)	
6-2		024-31405033-R	SCREW $\phi$ 1.4X5MM KA BLACK HD	
6-3		100-230i2080-R	REMOTE CONTROL PCB ASSY	
6-4		031-230i0110-R	BATTERY SPRING (+/-VE)	
6-5		031-230i0310-R	BATTERY SPRING (-VE)	
6-6		031-230i0210-R	BATTERY SPRING (+VE)	
6-7		003-230B0100-R	HANDSET BOTTOM COVER (COLOR:BLACK)	
		003-230W0100-R	HANDSET BOTTOM COVER (COLOR:WHITE)	
6-8		003-230B0200-R	HANDSET BOTTOM DOOR (COLOR:BLACK)	
		003-230W0200-R	HANDSET BOTTOM DOOR (COLOR:WHITE)	

# SR-L230i

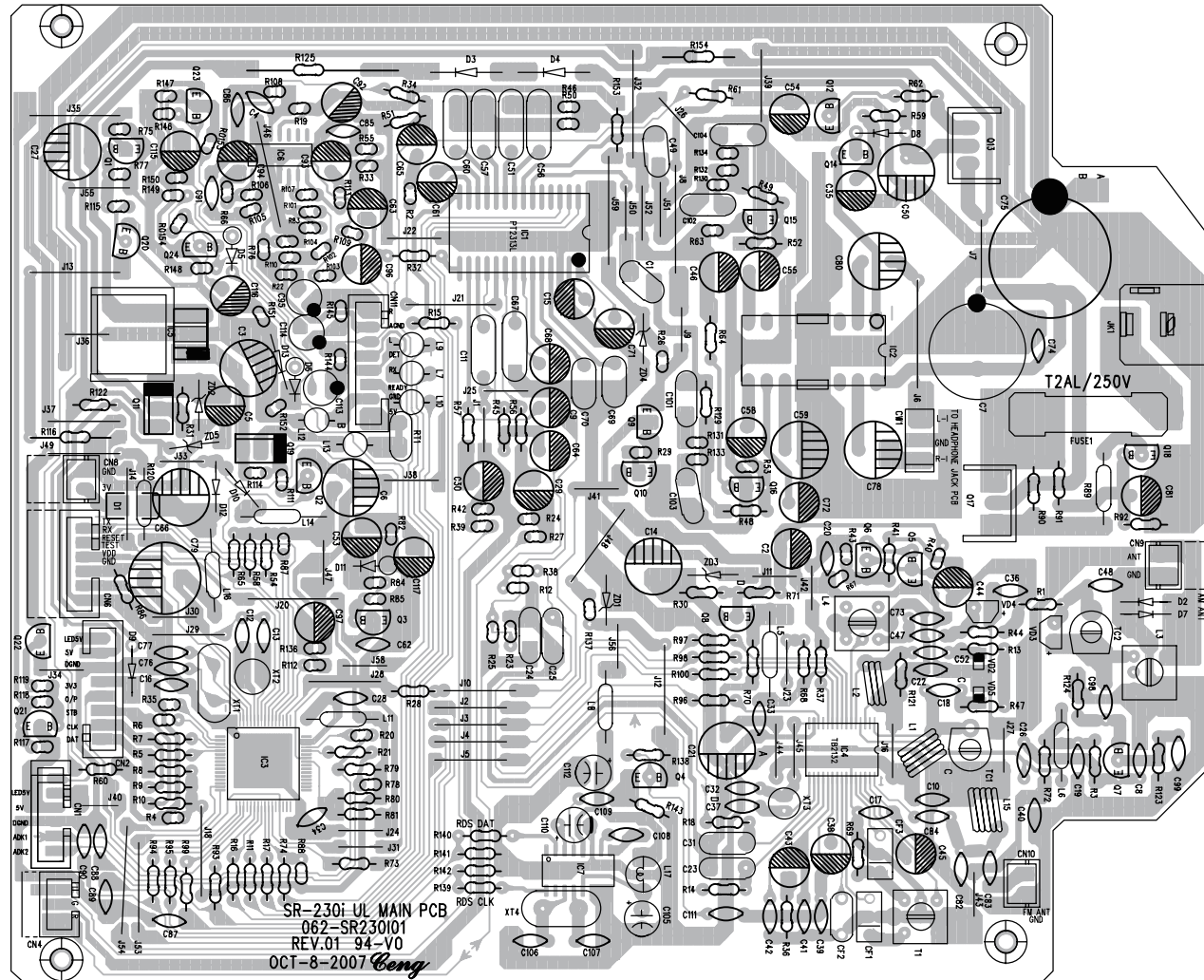
## 5 PC BOARDS AND PARTS LIST

### MAIN PCB ASSY

REF.NO	TEAC PARTS NO.	PARTS NO.	DESCRIPTION	REMARKS
		100-230i2010-R	MAIN PCB ASSY (UL/CSA)	
		062-R230i001-R	MAIN PCB 167×136MM 94V-0 REV:00	
CN1		082-20500100-R	CONNECTOR 5PIN P=2.0MM	
CN2,CN11		082-10800100-R	CONNECTOR 8PIN P=2.0MM	
CN4		082-20300100-R	CONNECTOR 3PIN P=2.0MM	
CN6		082-20600100-R	CONNECTOR 6PIN P=2.0MM	
CN8		082-20240100-R	CONNECTOR 2PIN P=2.5MM	
CN9		082-20240300-R	CONNECTOR 2PIN P=2.5MM BLACK	
		082-20240100-R	CONNECTOR 2PIN P=2.5MM WHITE	
CN10		082-10240100-R	CONNECTOR 2PIN P=2.5MM	
C7		072-30220251-R	E/C CAP 2200UF/25V M ( Φ 16×32MM)	
C75		072-30470251-R	E/C CAP 4700UF/25V M ( Φ 16×32MM)	
D1		077-70SS1201-R	DIODE SS12	
CF1		081-04500000-R	AM CERAMIC FILTER, SFU450B 3PIN	
CF2		093-11070006-R	CERAMIC FILTER CDALA10M7 GA128 2PIN	
CF3		081-30107000-R	FM CERAMIC FILTER, SFE10.7MA5 3PIN	
D2,5,6,7,8,9		077-00414801-R	DIODE 1N4148	
D11,12,13				
D3,4,10		077-10400201-R	DIODE 1N4002	
FUSE1		090-22520022-R	FUSE T2AL 250V "UL/CSA/VDE"MARK	
IC1		075-PT231329-R	IC:PT2313L/SC7313S	
IC2		075-00462712-R	IC:LA4627	
IC3		075-86FS4931-R	IC:TMP86FS49AUG	
IC4		075-2132FN21-R	IC:TB2132FNG	
IC5		075-00780501-R	IC:KIA7805API 618	
IC6		075-LM324S22-R	IC:LM324-S	
L1,L15		078-08450451-R	FM RF COIL Φ 0.8MM× Φ 4.5MM×4.5T	
L2		078-08450251-R	FM OSC COIL Φ 0.8MM× Φ 4.5MM×2.5T	
L3		079-R230i010-R	AM ANT COIL	
L4		079-R230i220-R	AM OSC COIL RED	
L6		095-30220002-R	FERRITE CORE:22mH	
L7,L9,L10, L12,L13		052-08356001-R	HORIZONTAL FERRITE CORE: Φ 0.8 × Φ 3.5×6MM	
L5,L11,L14,L16		095-01000001-R	INDUCTOR 100UH 0.5W	
L75				
JK1		064-20110102-R	DC JACK Φ 2.0MM	
Q1,9,16,21		076-00A73300-R	TRANSISTOR:2SA733	
Q2,3,5,6,8,10, Q12,14,18,20, Q22,23,24		076-00C94500-R	TRANSISTOR:2SC945	
Q7		076-2SK19220-R	MOSFET:2SK192	
Q11		076-00D88200-R	TRANSISTOR:2SD882	
Q13,17,19		076-00B77200-R	TRANSISTOR:2SB772	
T1		079-R230i910-R	AM IFT COIL WHITE	
TC1		073-00020022-R	TC.20PF	
VD3,VD4		077-50014901-R	1SV149 (TOSHIBA)	
ZD2		077-3006B10H-R	ZENER DIODE 5.6V 0.5W	
ZD3,ZD5		077-3004B20H-R	ZENER DIODE 3.9V 0.5W	
ZD4		077-3007B10H-R	ZENER DIODE 6.8V 0.5W	
XT3		093-A0750002-R	XTAL 75KHz	
XT2		093-A0327682-R	XTAL 32.768KHz	
XT1		093-08000002-R	XTAL 8MHz	

# SR-L230i

## MAIN PCB

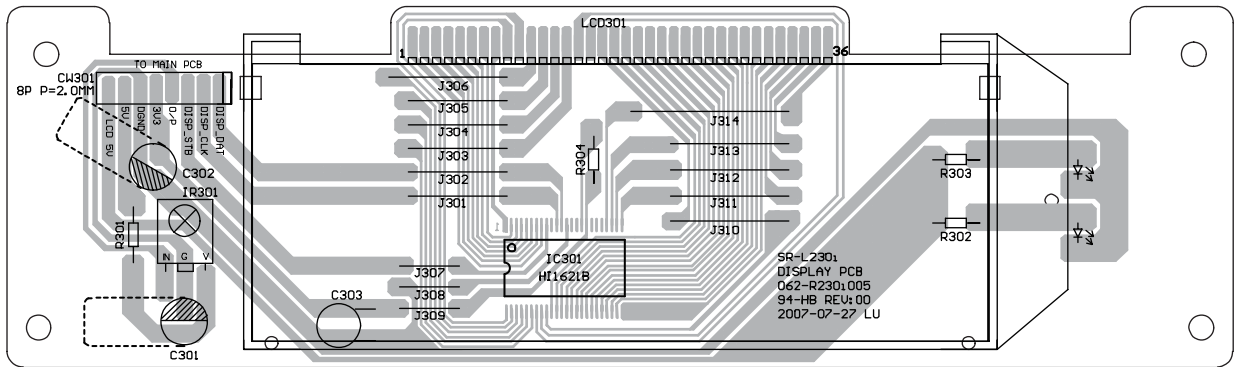


# SR-L230i

## DISPLAY PCB ASSY

REF.NO	TEAC PARTS NO.	PARTS NO.	DESCRIPTION	REMARKS
IC301		100-230i2030-R	LCD DISPLAYER PCB ASSY	
IR301		062-R230i005-R	LCD DISPLAYER PCB: 155×45MM 94-HB REV:00	
LCD301		075-HT162139-R	IC:HT1621B(SSOP-A)	
		083-00LT1000-R	RECEIVE SENSOR <PIC-2031 SMB/F22>	
		080-R230i001-R	LCD DISPLAY SIZE: 93×37.5MM	
		009-230i0100-R	LCD BACK LIGHT HOLDER	

## DISPLAY PCB



# SR-L230i

## KEY FUNCTION PCB ASSY

REF.NO	TEAC PARTS NO.	PARTS NO.	DESCRIPTION	REMARKS
LED201,LED203 LED204,LED205 Q201		100-230i2020-R	KEY FUNCTION PCB ASSY	
		062-R230i004-R	KEY FUNCTION PCB:126×66MM 94-HB REV:00	
		094-06020501-R	BLUE LED: φ 3MM	
		076-00C94500-R	TRANSISTOR:2SC945	
Q202		076-00A73300-R	TRANSISTOR:2SA733	
SW201,202,203, SW204,206,207, SW208,209,210, SW211,212,213, SW214,215 SW205		063-0GP28020-R	TACT SW. H=5.0MM	
		063-SLD90001-R	TACT SW:TAA-4PV050-250	

## BACK-UP BATTERY PCB ASSY

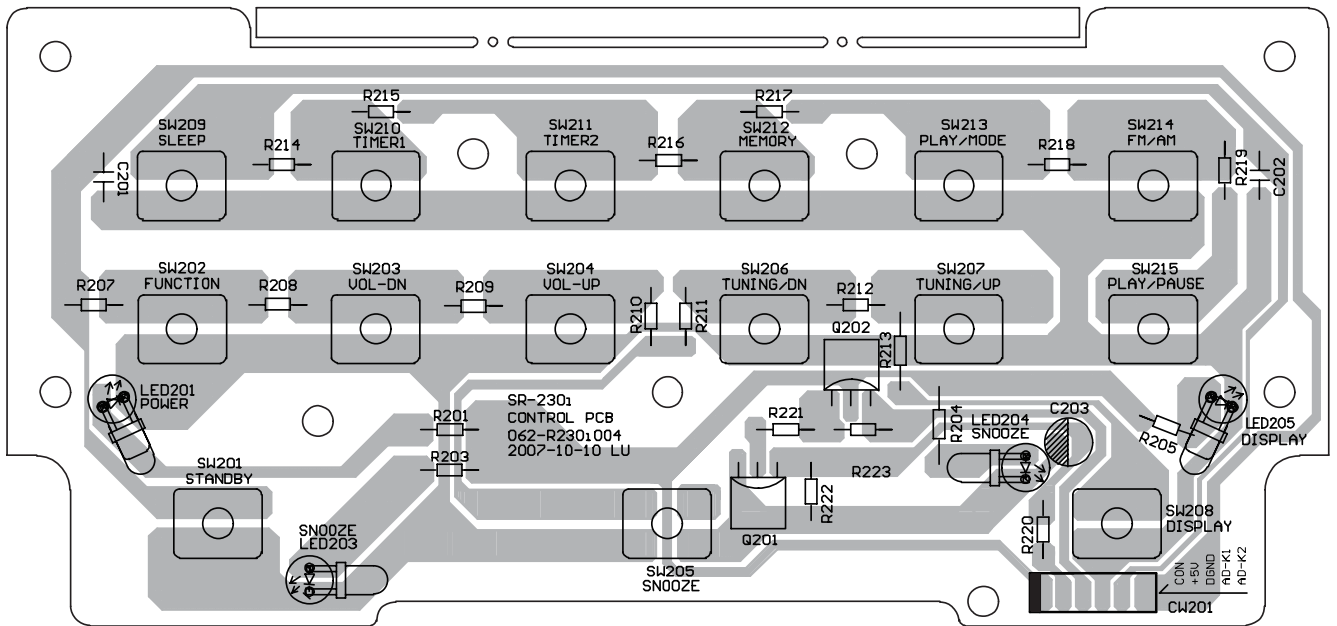
REF.NO	TEAC PARTS NO.	PARTS NO.	DESCRIPTION	REMARKS
		100-230i2060-R	MEMORY BATTERY PCB ASSY	
		062-R230i008-R	MEMORY BATTERY PCB: 33×49MM 94-HB REV:00	

## PHONE PCB ASSY

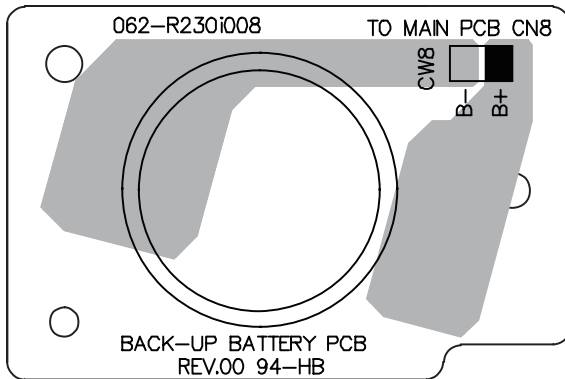
REF.NO	TEAC PARTS NO.	PARTS NO.	DESCRIPTION	REMARKS
CN3 CN5		100-230i2040-R	PHONE JACK PCB ASSY	
		062-R230i006-R	PHONE JACK PCB:35×22MM 94-HB REV:00	
		082-10340100-R	CONNECTOR 3PIN P=2.5MM	
		082-10300100-R	CONNECTOR 3PIN P=2.0MM	
CN7		082-20300200-R	CONNECTOR 3PIN P=2.0MM	
JK3		064-35020101-R	HEADPHONE JACK φ 3.5MM	



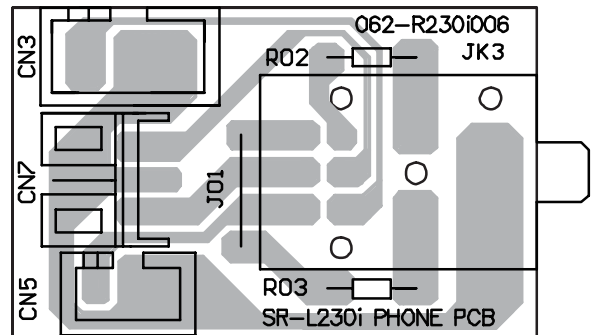
## KEY FUNCTION PCB



## BACK-UP BATTERY PCB



## PHONE PCB



# SR-L230i

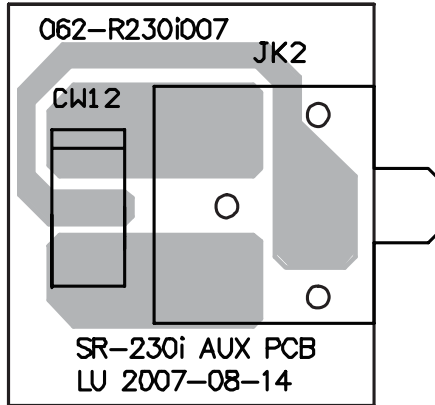
## AUX PCB ASSY

REF.NO	TEAC PARTS NO.	PARTS NO.	DESCRIPTION	REMARKS
JK2		100-230i2050-R 062-R230i007-R 064-35020111-R	AUX JACK PCB ASSY AUX JACK PCB: 20×22MM 94-HB REV:00 AUX JACK φ 3.5MM TE-03506S-05	

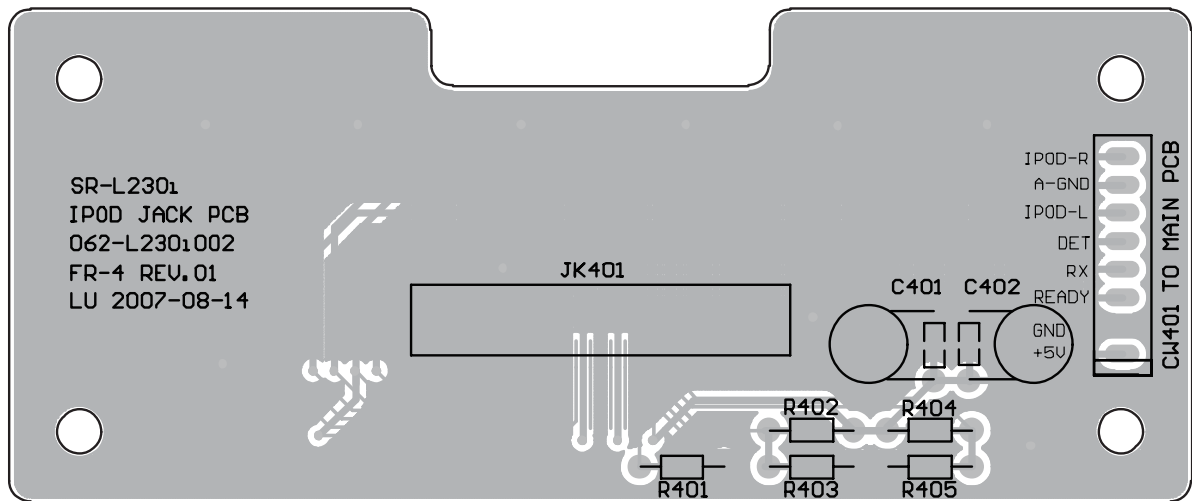
## iPod JACK PCB ASSY

REF.NO	TEAC PARTS NO.	PARTS NO.	DESCRIPTION	REMARKS
JK401		100-230i2070-R 062-L230i002-R 082-33070400-R	iPod JACK PCB ASSY iPod JACK PCB 84×35MM FR-4 iPod CONNECTOR 30PIN P=0.5MM	

AUX PCB



iPod JACK PCB

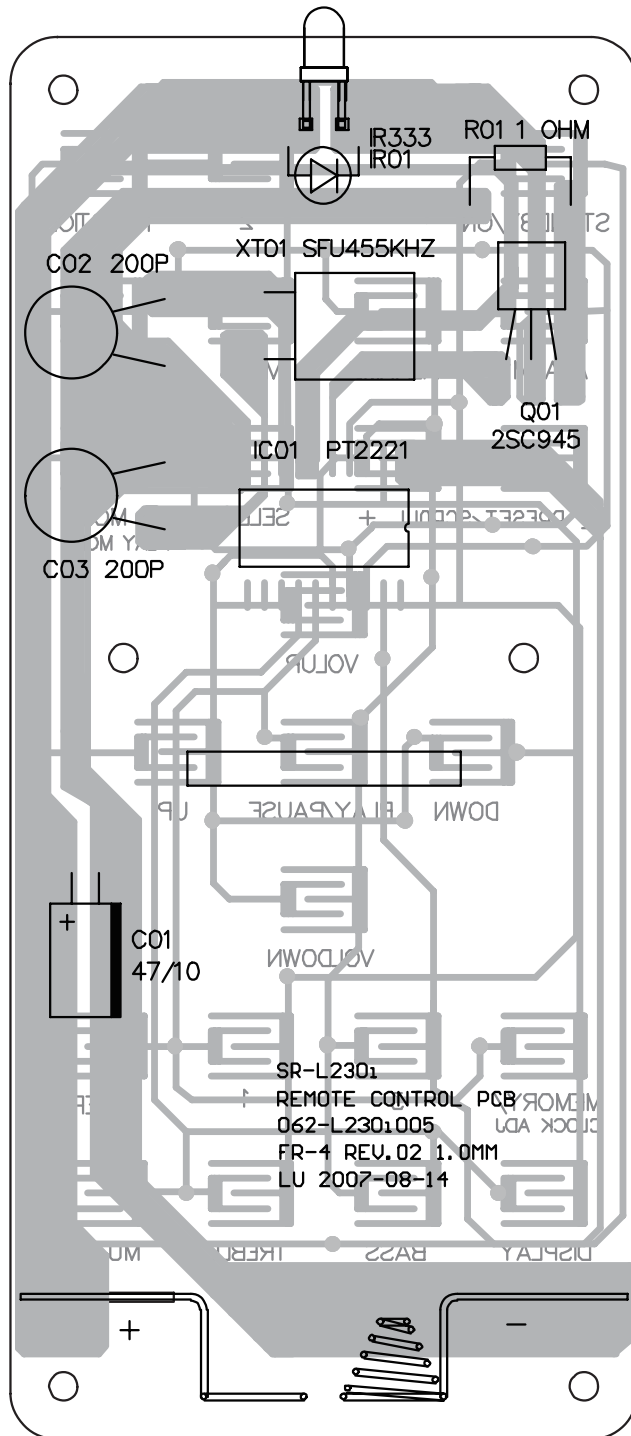


# SR-L230i

## REMOTE CONTROL PCB ASSY

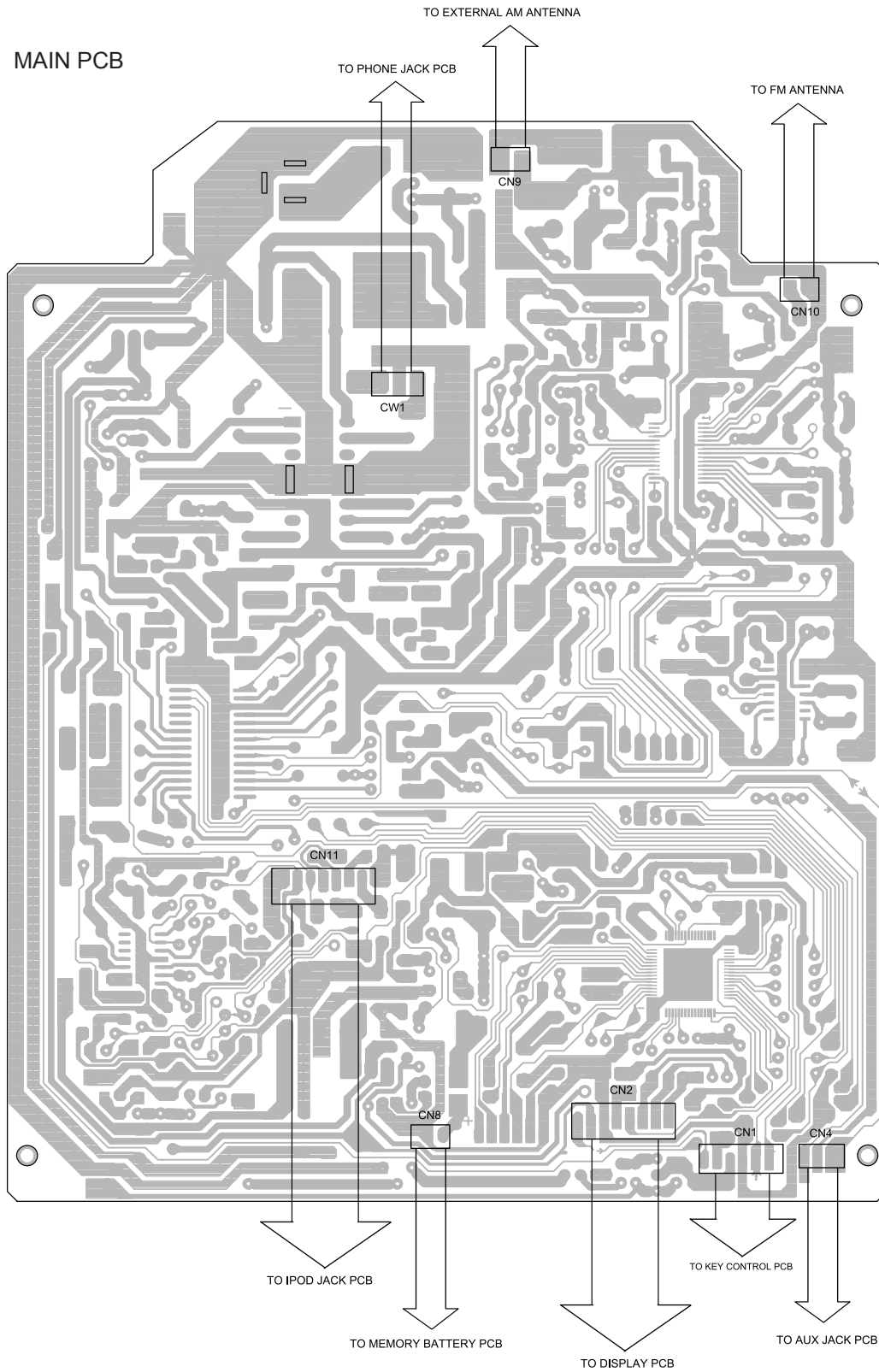
REF.NO	TEAC PARTS NO.	PARTS NO.	DESCRIPTION	REMARKS
		100-230i2080-R	REMOTE CONTROL PCB ASSY	
		062-L230i005-R	REMOTE CONTROL PCB: 107*49MM FR-4	
IR01		077-20020401-R	INFRARED LED $\phi$ 3.0MM:IR204	
Q01		076-00C94500-R	TRANSISTOR:2SC945	
IC01		075-00222120-R	IC:PT2221-001 ISD10C KBAN4	
XT01		093-A4550001-R	RESONATOR CSB455E 2PIN	

## REMOTE CONTROL PCB



# SR-L230i

## 6 WIRING DIAGRAM



## 7 INCLUDED ACCESSORIES

### INCLUDED ACCESSORIES

REF.NO	TEAC PARTS NO.	PARTS NO.	DESCRIPTION	REMARKS
		046-R230i010-R	INSTRUCTION BOOK (E/F/S)	
		099-30000004-R	REMOTE CONTROL UNIT AAA	
		099-47KL300i-R	BATTERY FOR MEMORY CR-2032	
		002-230B0300-R	iPod DOCK ADAPTOR <A> MINI	BLACK COLOR
		002-230B0400-R	iPod DOCK ADAPTOR <B> 20GB	BLACK COLOR
		002-230B0600-R	iPod DOCK ADAPTOR <D> PHOTO 40/60GB	BLACK COLOR
		002-230B0800-R	iPod DOCK ADAPTOR <E> NANO 3G	BLACK COLOR
		002-230B0900-R	iPod DOCK ADAPTOR <F> TOUCH	BLACK COLOR
		002-230B0700-R	iPod DOCK NANO 2G	BLACK COLOR
		002-230W0300-R	iPod DOCK ADAPTOR <A> MINI	WHITE COLOR
		002-230W0400-R	iPod DOCK ADAPTOR <B> 20GB	WHITE COLOR
		002-230W0600-R	iPod DOCK ADAPTOR <D> PHOTO 40/60GB	WHITE COLOR
		002-230W0800-R	iPod DOCK ADAPTOR <E> NANO 3G	WHITE COLOR
		002-230W0900-R	iPod DOCK ADAPTOR <F> TOUCH	WHITE COLOR
		002-230W0700-R	iPod DOCK NANO 2G	WHITE COLOR
		084-230U0201-R	AC ADAPTER UL AC:120V/60Hz DC:12V 1100mA L=1.5M(WHI)	WHITE COLOR
		084-230C0201-R	AC ADAPTER CSA AC:120V/60Hz DC:12V 1100mA L=1.5M(WHI)	WHITE COLOR
		084-230U0200-R	AC ADAPTER UL AC:120V/60Hz DC:12V 1100mA L=1.5M(BLK)	BLACK COLOR
		084-230C0200-R	AC ADAPTER CSA AC:120V/60Hz DC:12V 1100mA L=1.5M(BLK)	BLACK COLOR
			REMOTE CONTROL HAND SET	BLACK COLOR
			REMOTE CONTROL HAND SET	WHITE COLOR
		010-230B0800-R	AM ANTENNA HOLDER	BLACK COLOR
		010-230W0800-R	AM ANTENNA HOLDER	WHITE COLOR

# SR-L230i

---

# TEAC

---

DTE-SM0712002

---

<b>TEAC CORPORATION</b>	1-47, Ochiai, Tama-shi, Tokyo 206-8530, Japan Phone:(042)356-9155
TEAC AMERICA, INC.	7733 Telegraph Road, Montebello, California 90640 Phone: (323)726-0303
TEAC CANADA LTD.	5939 Wallace Street, Mississauga, Ontario L4Z 1Z8, Canada Phone: (905)-890-8008
TEAC MEXICO, S.A.De C.V.	Campeños N°184, Colonia.Granjas Esmeralda, Delegacion Iztapalapa,CP 09810,Mexico DF Phone: (525)-581-5500
TEAC UK LIMITED	Unit 19 & 20, The Courtyards, Hatters Lane, Watford, Hertfordshire, WD18 8TE5, U.K. Phone:(0845) 130-2511
TEAC EUROPE GmbH	Bahnstrasse 12, 65205 Wiesbaden-Erbenheim, Germany Phone: 0611-71580
TEAC ITALIANA S.p.A.	Via C, Cantu 9/A, 20092 Cinisello Balsamo, Milano, Italy Phone:02-66010550
TEAC AUSTRALIA PTY., LTD.	280 William Street, Melbourne VIC 3000, Australia Phone:(03)9672-2400
A.B.N.	80 005 408 462

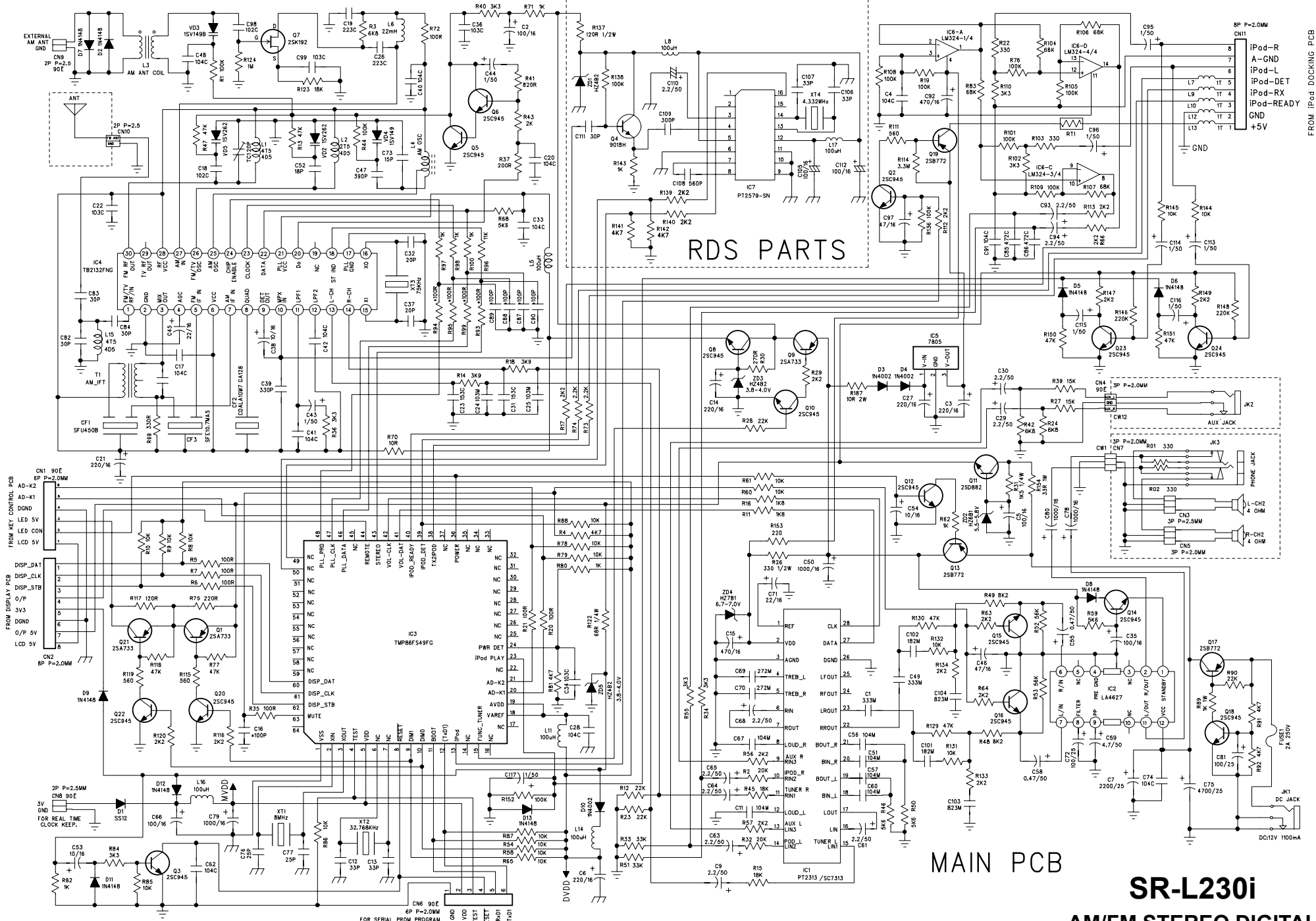
---

DEC 2007

PREPARED IN CHINA



MAIN PCB



FROM KEY CONTROL PCB  
 AD-K2  
 AD-K1  
 DOND  
 LED SV  
 LED CON  
 LCD SV

FROM DISPLAY PCB  
 DISP\_DATA  
 DISP\_CLK  
 DISP\_STB  
 O/P  
 DOND  
 O/P SV  
 LCD SV

FROM iPod DOCKING PCB

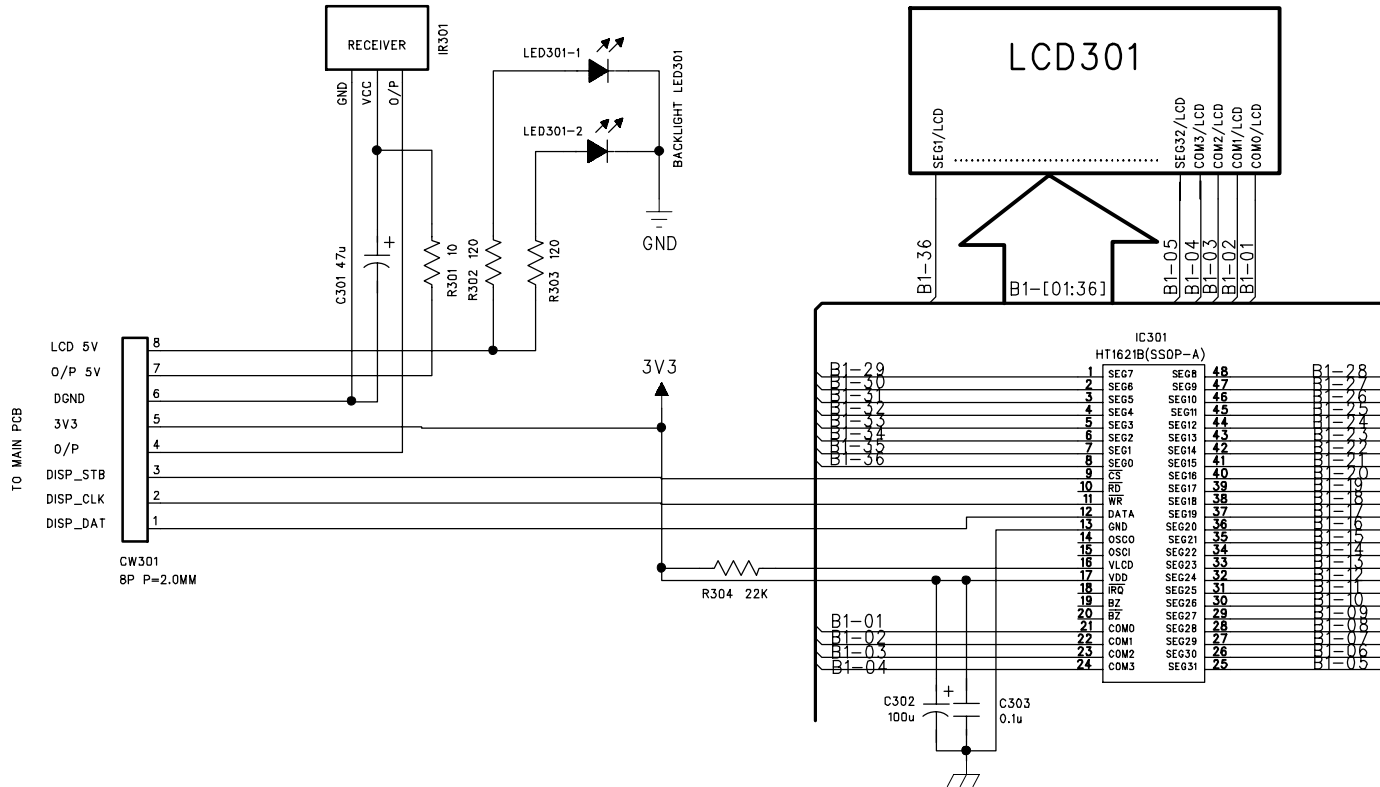
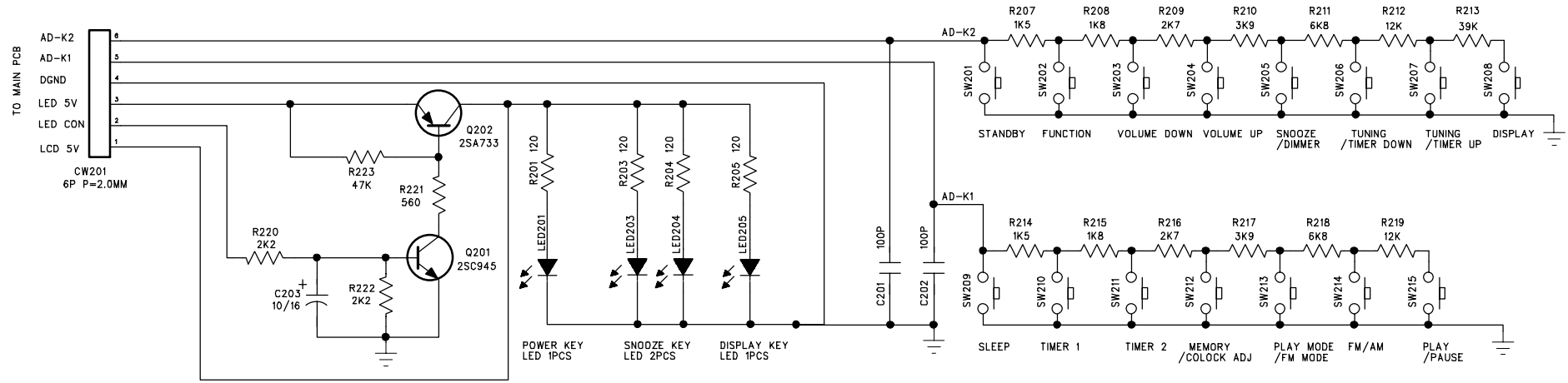
MAIN PCB

SR-L230i

AM/FM STEREO DIGITAL  
 RADIO Hi-Fi TABLE iPod PLAYER

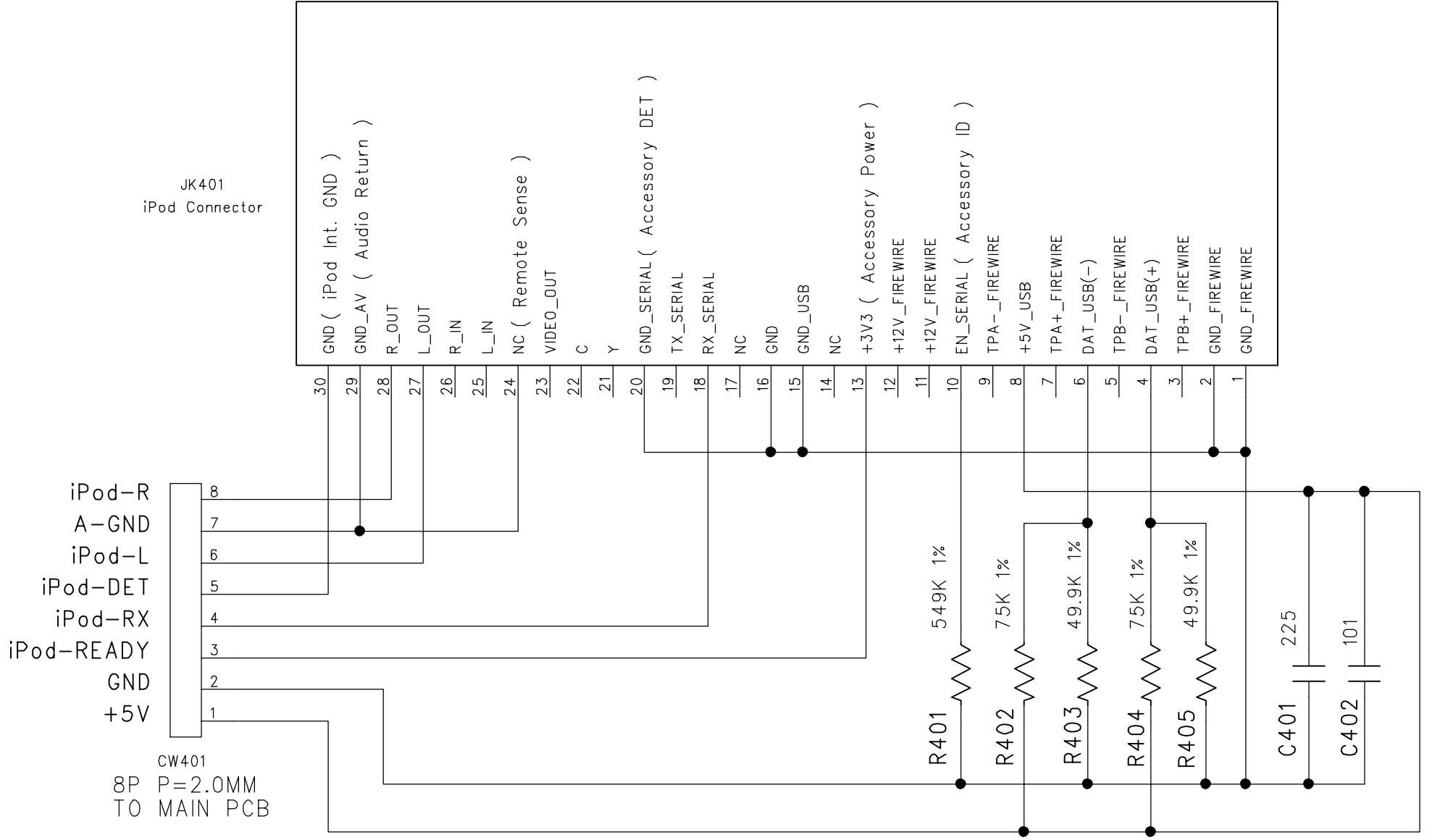
FOR SERIAL PROM PROGRAM

# DISPLAY & KEY FUNCTION PCB



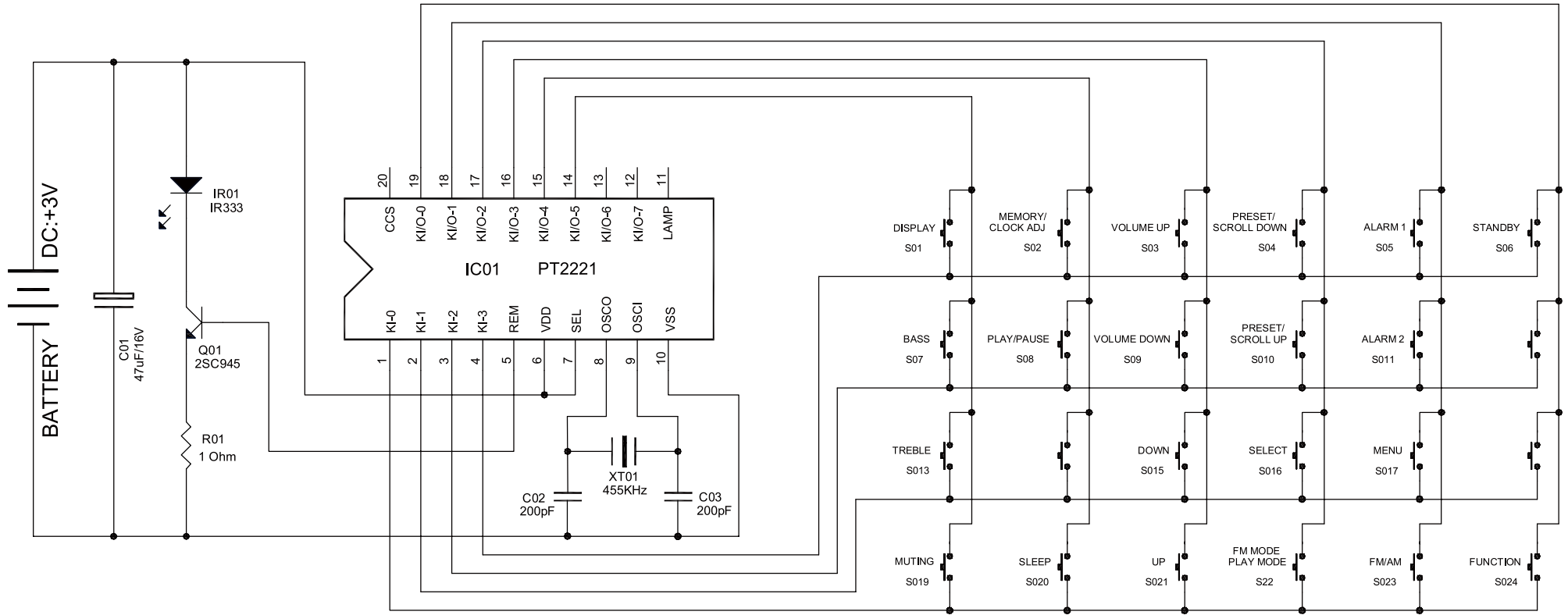
**SR-L230i**  
**AM/FM STEREO DIGITAL**  
**RADIO Hi-Fi TABLE iPod PLAYER**

iPod CONNECTOR PCB



**SR-L230i**  
**AM/FM STEREO DIGITAL**  
**RADIO Hi-Fi TABLE iPod PLAYER**

REMOTE CONTROL PCB



**SR-L230i**  
**AM/FM STEREO DIGITAL**  
**RADIO Hi-Fi TABLE iPod PLAYER**